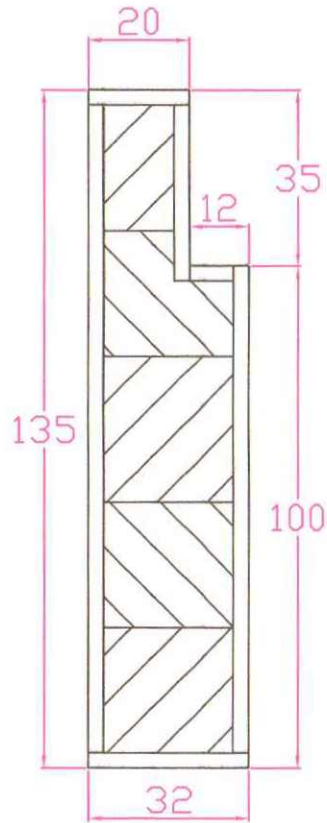
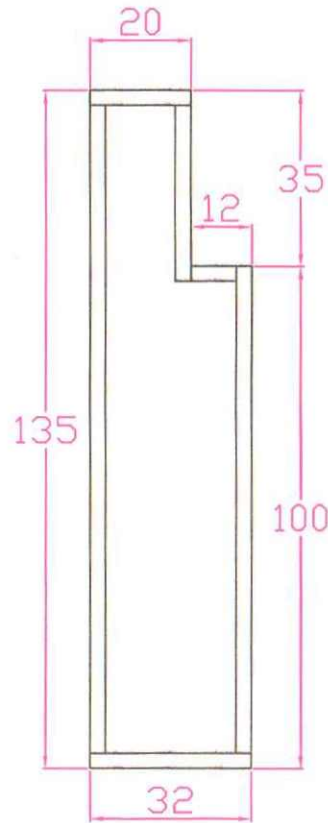


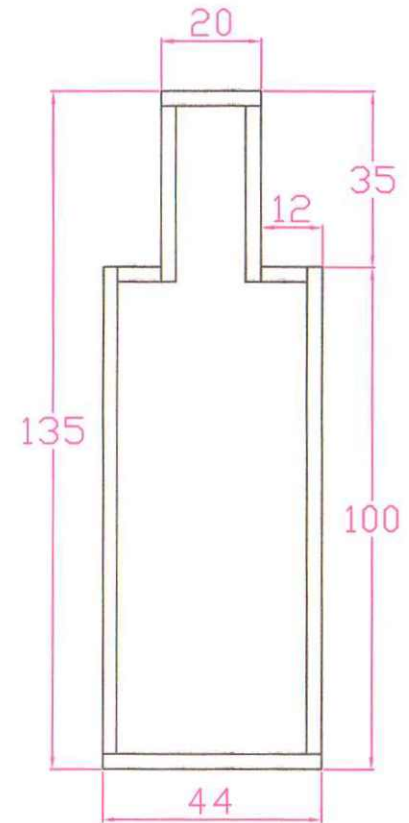
HEAD X 1
3000mm LONG



JAMB X 2
1997mm LONG



MULLION X 2
1997mm LONG



PROPOSED CONSTRUCTION: 3MM WHITE OAK LAMINATE &
OAK SUBSTITUTE CORE (NOT VISIBLE ON ANY EDGES)

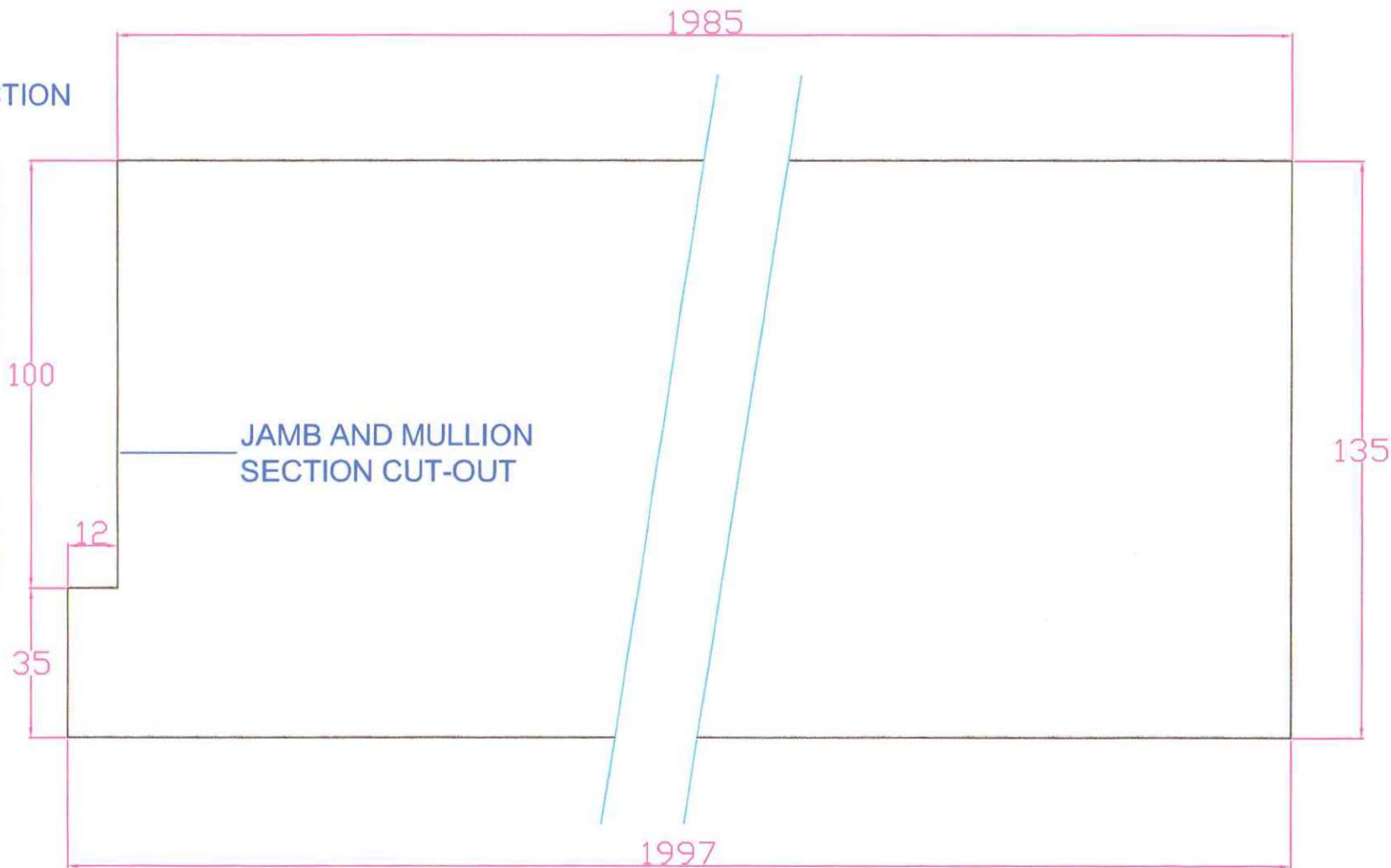
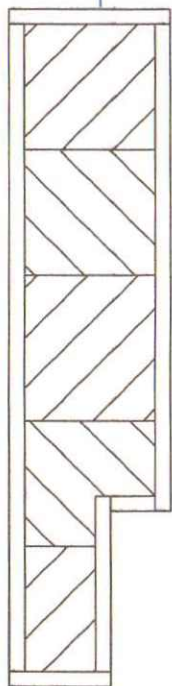


Joinery Limited

XL JOINERY LTD
BRADFORD ROAD
BATLEY
WEST YORKSHIRE
WF17 8NE
UNITED KINGDOM

| TITLE | APPROVED BY | REMARKS | DRAWN BY: [REDACTED] |
|---|-------------|---------|---|
| ORD3000 OAK ROOM DIVIDER COMPONENT SECTIONS | | | SCALE: DRAWING NO: CHECK BY: DATE ISSUED: [REDACTED] |

HEAD SECTION



JAMB AND MULLION
SECTION CUT-OUT



Joinery Limited

XL JOINERY LTD
BRADFORD ROAD
BATLEY
WEST YORKSHIRE
WF17 8NE
UNITED KINGDOM

TITLE

ORD3000
OAK ROOM DIVIDER
JAMB AND MULLION DETAIL

APPROVED BY

REMARKS

DRAWN BY: [REDACTED]

SCALE:

DRAWING NO:

CHECK BY:

DATE ISSUED: [REDACTED]

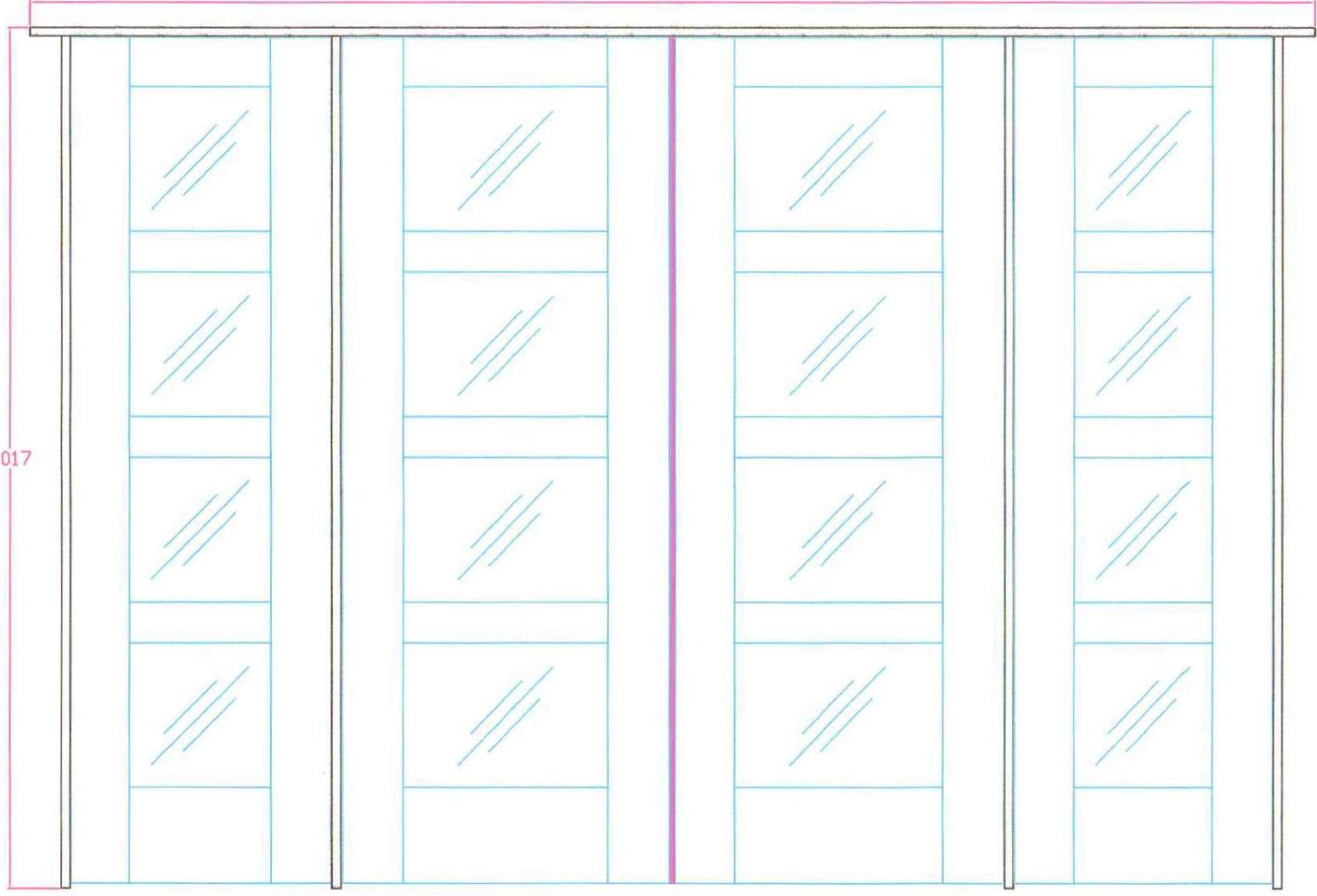
ISSUE

HEAD



3000

2017



Joinery Limited

XL JOINERY LTD
 BRADFORD ROAD
 BATLEY
 WEST YORKSHIRE
 WF17 8NE
 UNITED KINGDOM

| TITLE | APPROVED BY | REMARKS | DRAWN BY: [REDACTED] |
|--|-------------|---------|---|
| ORD3000 OAK ROOM DIVIDER FRAME ELEVATION | | | SCALE: DRAWING NO: CHECK BY: DATE ISSUED: [REDACTED] |

ISSUE