

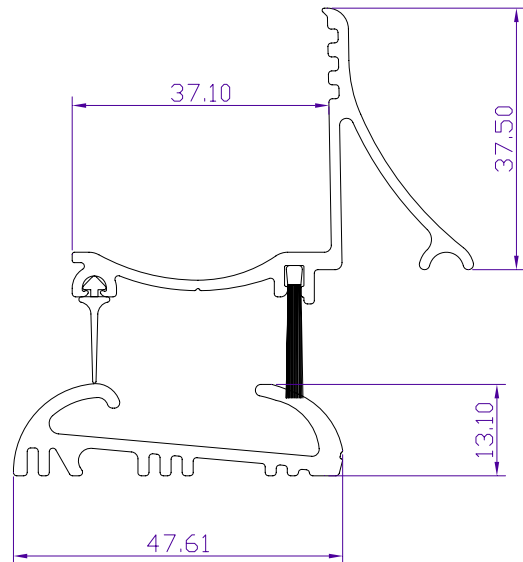
Part M Explanation

Elements of accessibility required by Part M pertaining to doors and their approaches.

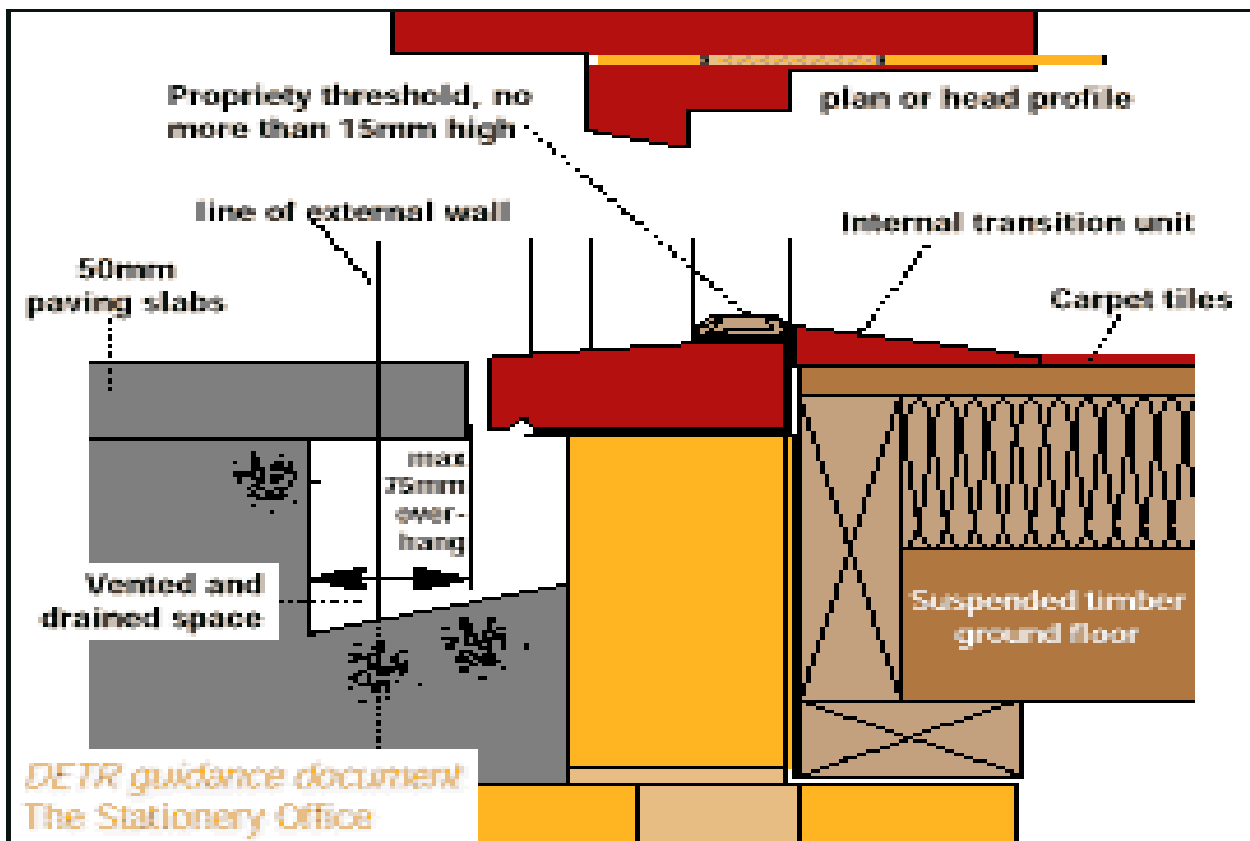
Entrance Doors

- **An accessible threshold at entrance level should be provided. Where unavoidable, a maximum 15mm upstand is permitted.**

Opposite is the Stormguard Trimline Sill: Part M Compliant because of its 13.1mm height. This is used on XL Door sets.



If the frame has a sill then it is the responsibility of the installer to ensure the approach is constructed to facilitate wheelchair access. E.g.



Corridors, Passages and Internal Doors.

2. Doorways and corridors should be wide enough to allow wheelchair users to manoeuvre into and out of rooms:

The entrance door must always have a clear opening width of at least **775mm**.

Internal doorways and corridors should conform to the table opposite.

The objective is to facilitate access within the entrance storey or the principal storey of the dwelling, into habitable rooms and bathrooms. A short length (no more than 2m) of local permanent obstruction in a corridor, such as a radiator, would be acceptable provided that the unobstructed width of the corridor is not less than 750mm for that length, and the local permanent obstruction is not placed opposite a door to a room if it would prevent a wheelchair user turning into or out of the room. (See diagram below)

Doorway clear opening width (mm)	Corridor/ passageway width (mm)
750 or wider	900 (when approach head-on)
750	1200 (when approach not head-on)
775	1050 (when approach not head on)
800	900 (when approach not head- on)

