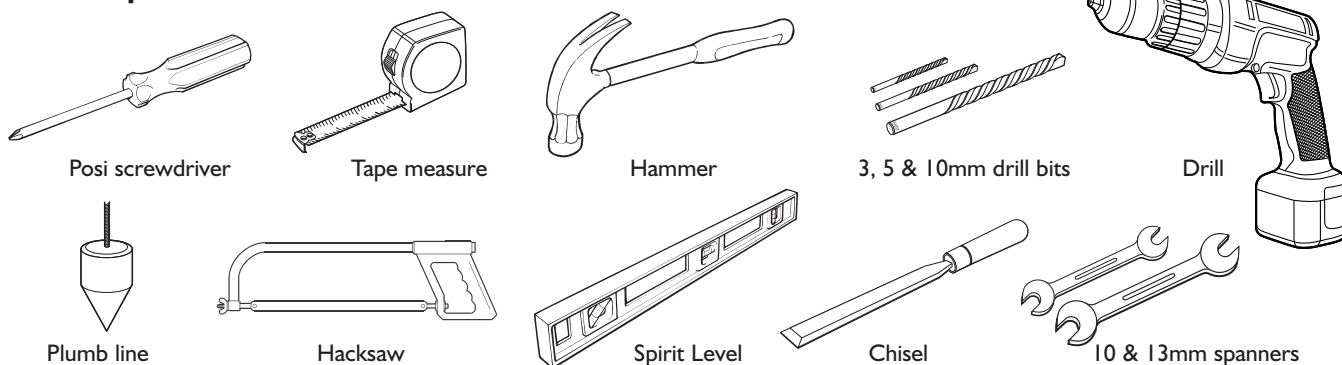


### Tools Required



### Cut the frame to size and assemble.

#### IMPORTANT

**Please note:** You can only assemble these door configurations by using the frame provided. Your warranty will be invalid if other alternatives are used. All loads are taken by the top track to ensure smooth, light operation and long life. Prior to installing this doorset, inspect for damage and do not proceed to fit if any noticeable damage or defect is evident. This doorset should be stored in a dry flat location before installation.

#### CAUTION



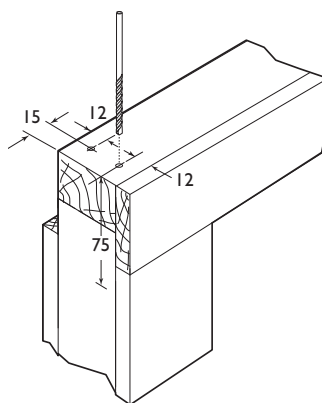
**SAFETY:** This product needs to be installed by a competent tradesperson with assistance. Two people are required to carry out the installation, as some components are heavy. The outer frame requires fixing to the supporting structure above the opening. The opening **MUST** be capable of carrying the load of the doorset in all conditions.

Check your structural opening for squareness, and that it is a minimum of those stated in the table.

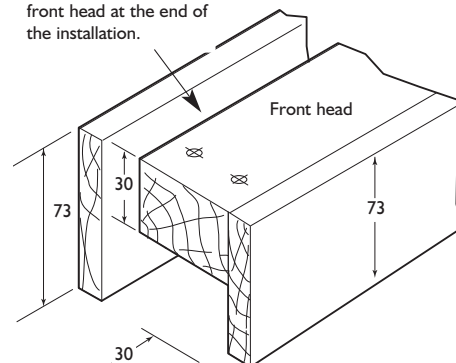
Number of leaves	3	4	5	6
Dimension (Y)mm	2130	2816	3502	4188
Door Configuration	3+0	3+1	5+0	3+3 & 5+1

Table of head lengths is as the part is supplied. These dimensions need to be trimmed to suit the doors you are using  
See **Table B** for cutting details

Using a 5mm diameter drill bit, drill through the front head only to take 2 No.10 x 75mm screws.



Back head - Screwed and glued to jamb and front head at the end of the installation.



**Table A - Structural opening sizes**

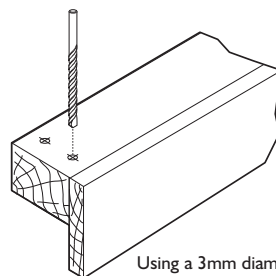
No. of Doors	3	4	5	6	6
Door layout pattern	3+0	3+1	5+0	3+3	5+1
Door Width	1'9"	1681	2214	2747	3280
	2'0"	1912	2522	3132	3742
	2'3"	2140	2826	3512	4198

Cut down the head and track to suit the number of doors and size of doors - See **Table B** for cutting details

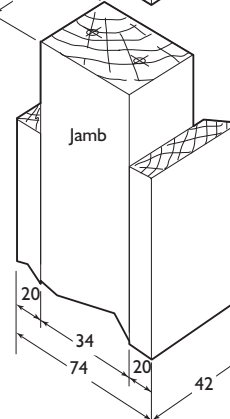
**Table B - Head cut lengths**

No. of Doors	3	4	5	6	6
Door layout pattern	3+0	3+1	5+0	3+3	5+1
Door Width	1'9"	1671	2204	2737	3270
	2'0"	1902	2512	3122	3732
	2'3"	2130	2816	3502	4188

Jamb height - 2048mm to suit 1981 high doors.  
Track length should be 62mm less than Head cut lengths.



Using a 3mm diameter drill bit, drill 2 holes through the front head and into the jamb to an approximate depth of 75mm.



Jamb length for standard imperial doors 78" high (1981mm) should be 2048mm.

## Secure the frame to the opening

Using the appropriate fixings attach the frame through both jambs at 450mm centres.

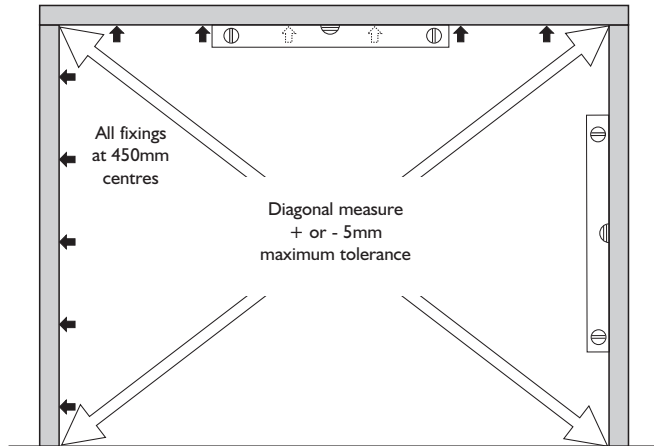
### Important

Check the frame is accurately square and plumb. Do not proceed with the installation until the frame is accurately installed.

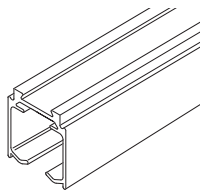
Once the frame is installed check the rebate dimensions are correct to your chosen configuration of doors from this table.

### REBATE SIZES FOR ALL OPTIONS

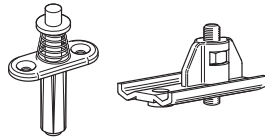
Door Width	3	4	5	6	6
3+0	3+0	3+1	5+0	3+3	5+1
1'9"	1611	2144	2677	3210	3210
2'0"	1842	2452	3062	3672	3672
2'3"	2070	2756	3442	4128	4128



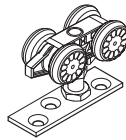
## Contents of Kit



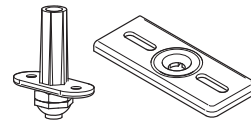
Track 280A



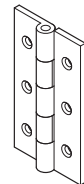
Top pivot 289T



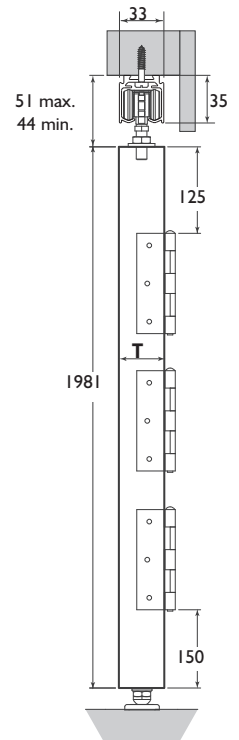
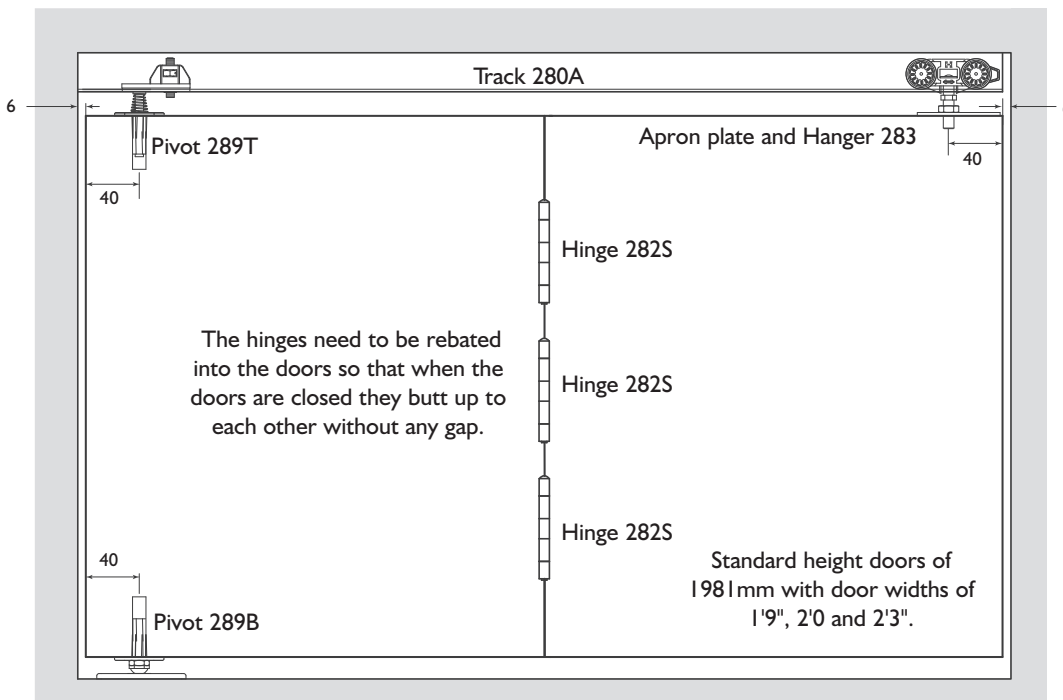
Apron plate and Hanger 283



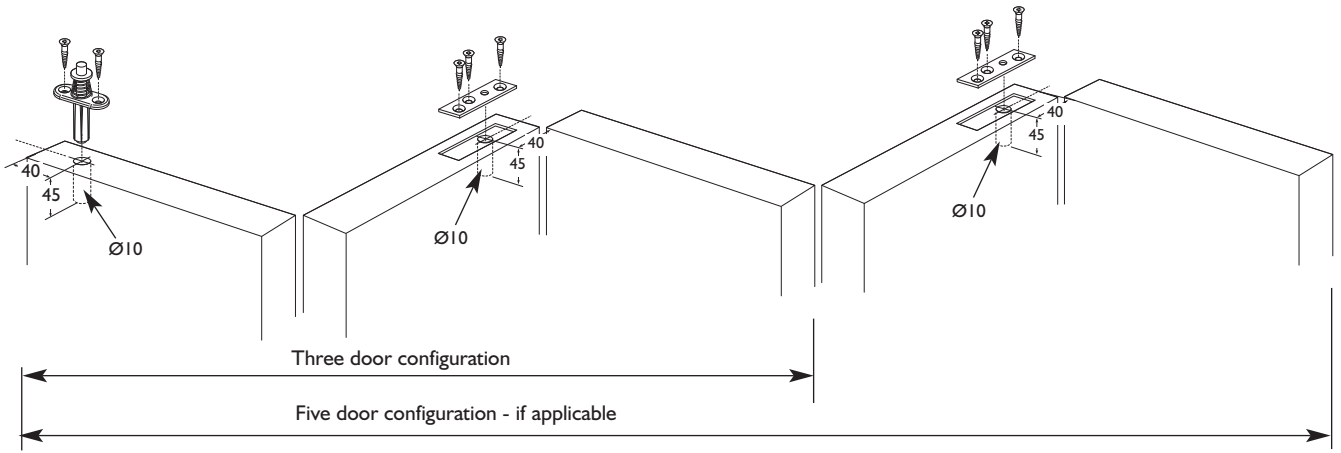
Bottom pivot 289B



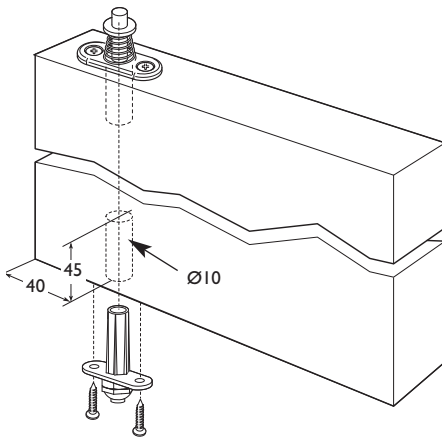
Hinge 282S



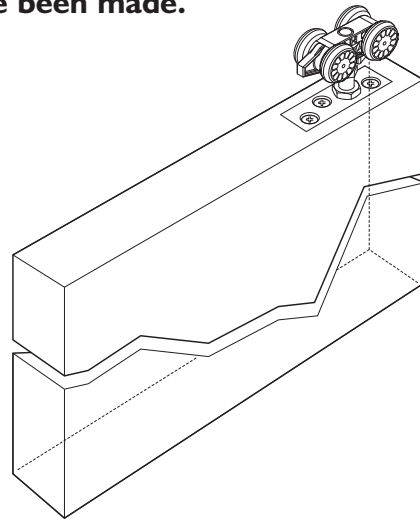
**1. Position and secure pivot and hanger apron plates to suit the layout of the doors chosen.**



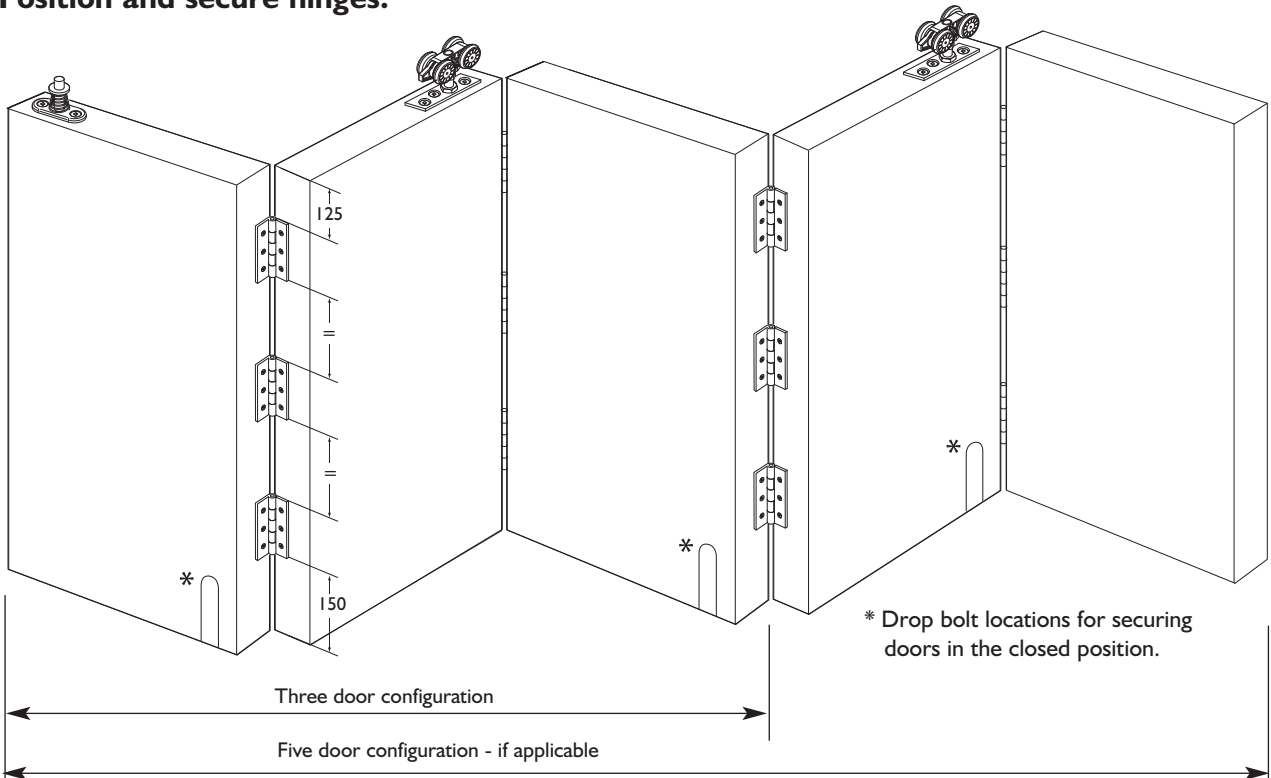
**2. Fit bottom pivot to door.**



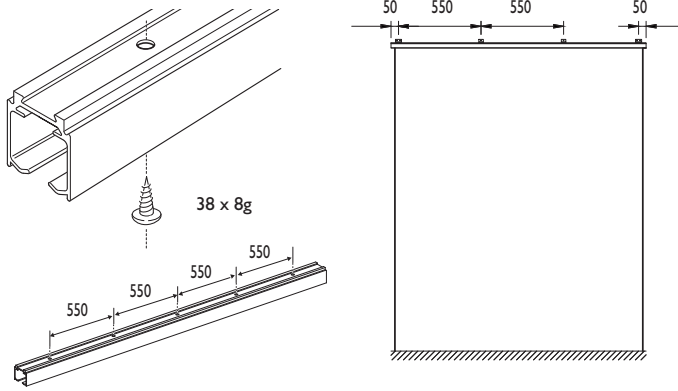
**3. Fit hanger(s) to apron plate(s), to be securely fixed when adjustments have been made.**



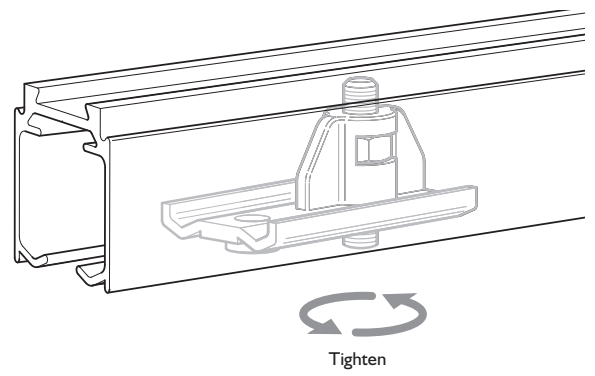
**4. Position and secure hinges.**



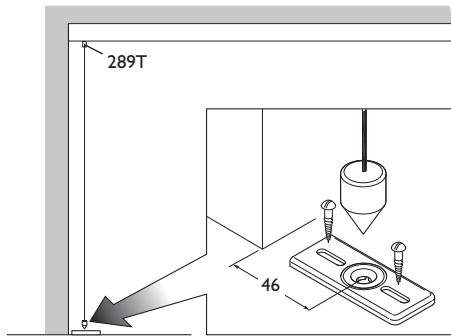
### 5. Fix track.



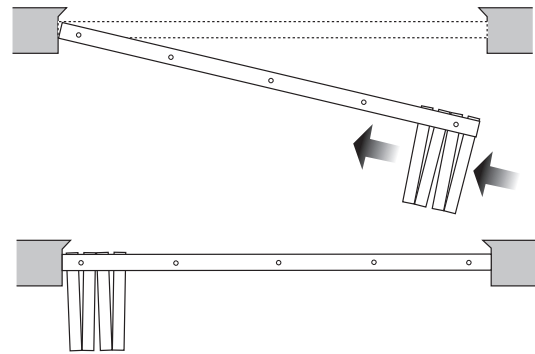
### 6. Position and secure top bearing plate



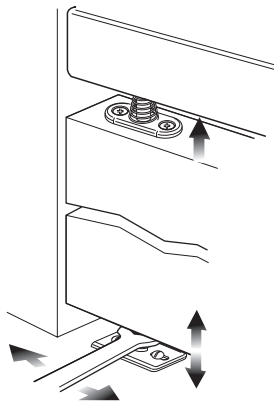
### 7. Locate and secure bottom pivot plate to floor.



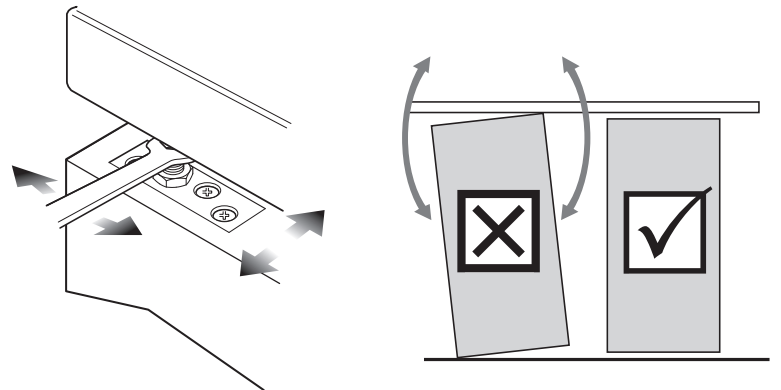
### 8. Slide doors onto track



### 9. Adjust door height using 13mm spanner on pivot door and 10mm on hanger doors.

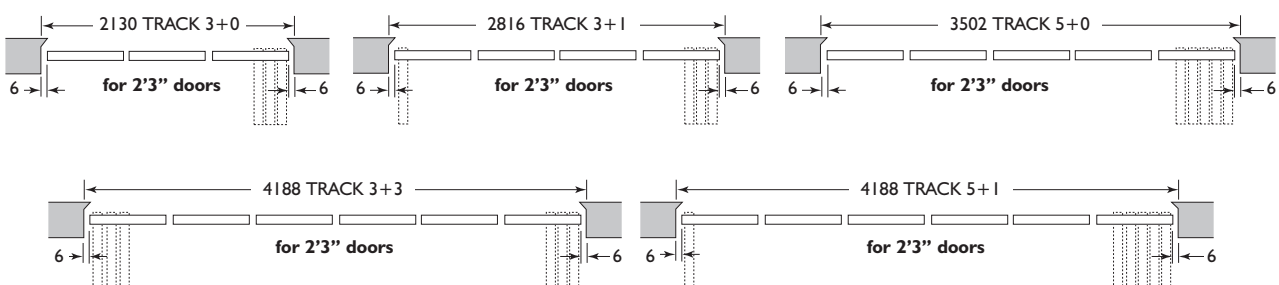


### 10. Align doors



**CARE POINT** - Ensure when adjusting that the hanger supports the weight of the doors along the length of the track.

## 11. Door configuration options.



Refer to **Table B** for head and track length for 1'9" and 2'0" doors.

Within the frame pack on 3+0 and 5+0 systems there is an additional single triangular section of timber that runs the full height of the jamb. This is to be installed as a door stop on the frame rebate for the normal access door only. **It cannot be fitted to any pivot door jamb because it will prevent the system operating.**