

# HIDEAWAY™ SERIES POCKET DOOR SYSTEM ASSEMBLY INSTRUCTIONS

## IMPORTANT!

**Opening height** must be measured from finished floor level (taking account of any flooring)  
Opening must be square, plumb with studs and level.

**Door meeting require 2 kits and the 61600 jointing kit**

## Note!

Instructions are for a 2032mm door, if door is shorter, lower header and cut bottom ends of Split Studs.

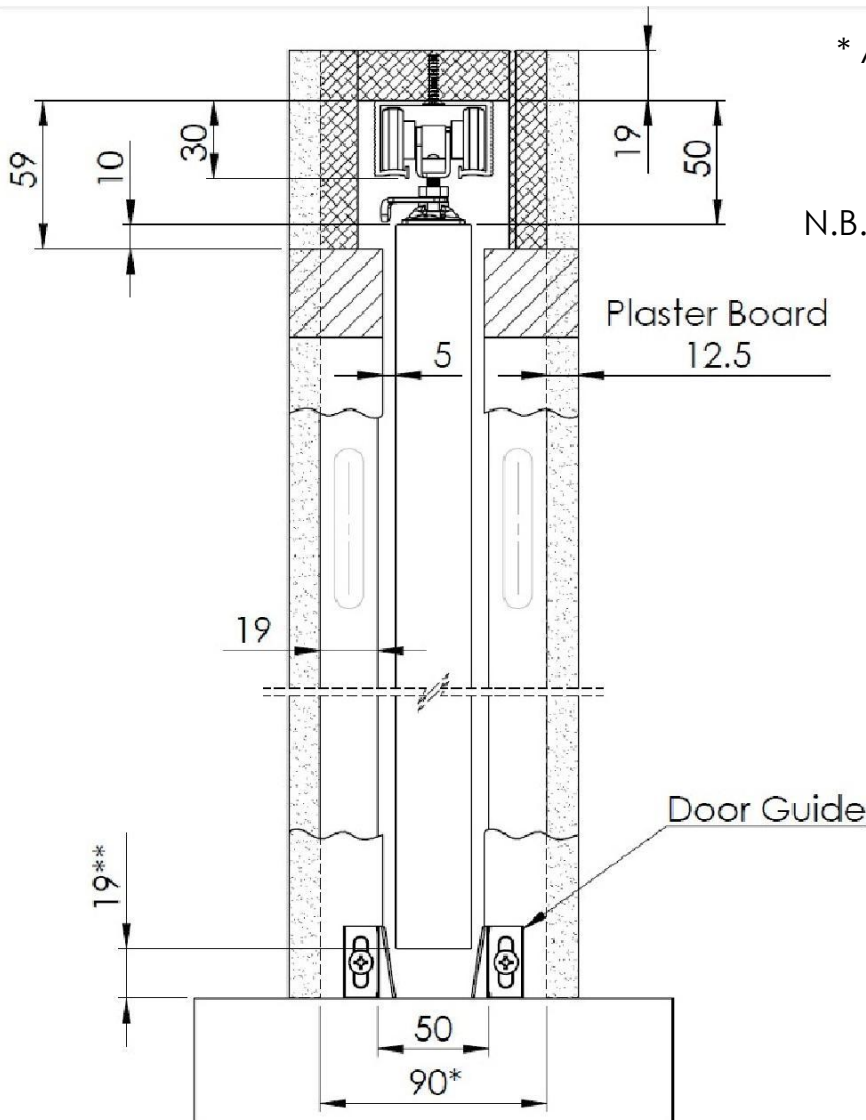
## SPECIFICATION

|                            |  |
|----------------------------|--|
| Maximum door weight        | :90kg  |
| Door height                | :2032mm or 2743mm                                |
| Door width                 | :760mm - 1524mm                                  |
| Recommended door thickness | :35mm - without adaptor<br>44mm - with adaptor   |
| Finished wall thickness    | :115mm - without adaptor<br>120mm - with adaptor |

## PRODUCT RANGE (UK IMPERIAL SIZES)

**MADE FOR 50mm X 100mm STUD WALLS**

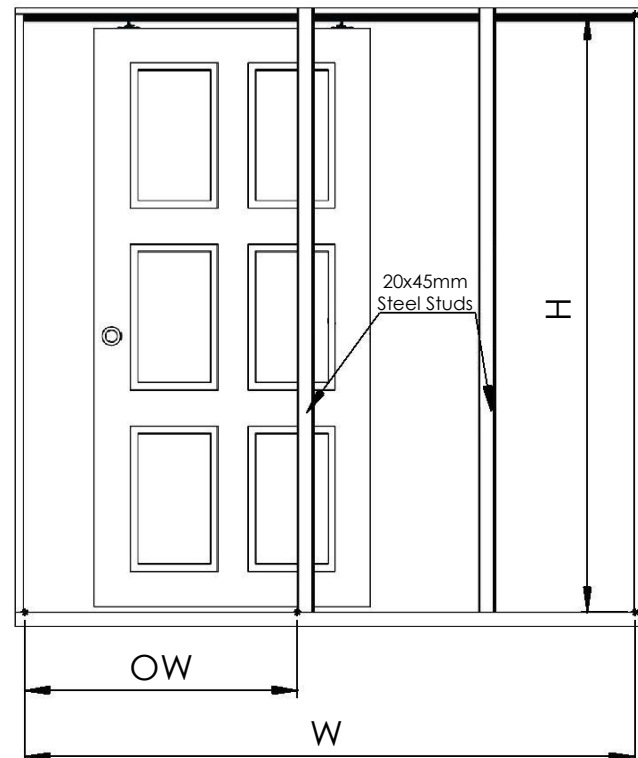
| Available Sets |           |            |             |             |
|----------------|-----------|------------|-------------|-------------|
| Part No.       | Item Code | Door Width | Door Height | Door Weight |
| 61730          | H30*      | 760mm      | 2032mm      | 56kg        |
| 61736          | H36*      | 915mm      | 2032mm      | 56kg        |
| 61742          | H42*      | 1067mm     | 2032mm      | 90kg        |
| 61842          | H42A      | 1067mm     | 2743mm      | 90kg        |
| 61848          | H48A      | 1219mm     | 2743mm      | 90kg        |
| 61854          | H54       | 1371mm     | 2743mm      | 90kg        |
| 61860          | H60A      | 1524mm     | 2743mm      | 90kg        |



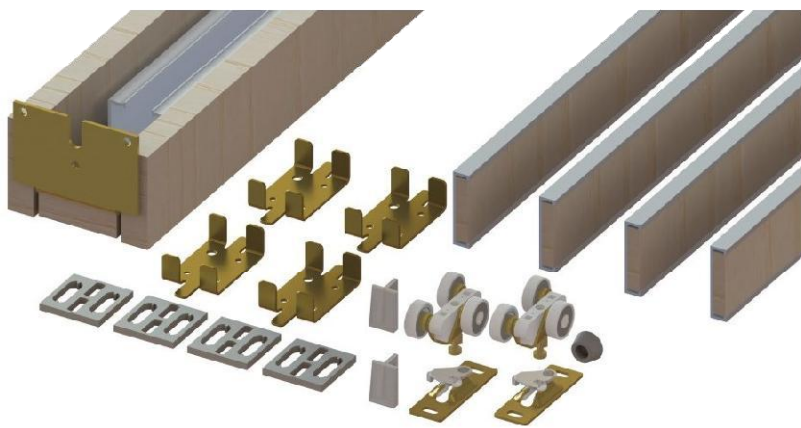
\* All purpose frames, marked to cut to shorter lengths

\*\*Allows for carpets + underlay

N.B. Add 5mm if frame adaptor kit is used (i.e. for doors 35mm to 44mm)

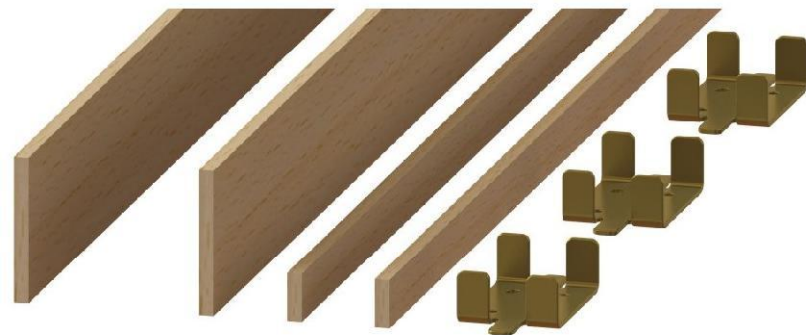


## CONTENTS

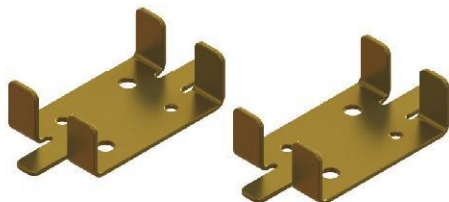


61730/736/742/842/848/854/860 -  
Hideaway Pocket Door Kit

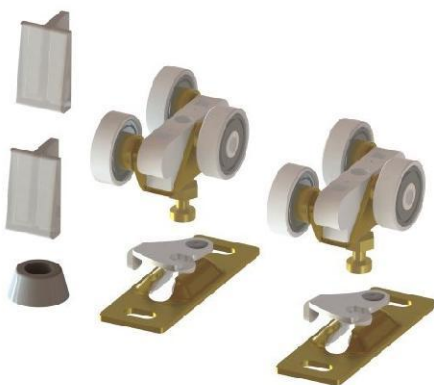
## ACCESSORIES



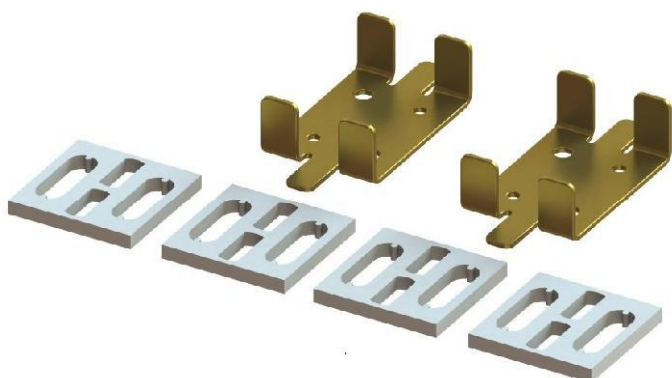
61601 - Hideaway cavity widening kit  
(up to 50mm thick doors)



61602 - Hideaway cavity widening plates,  
kit (up to 50mm thick doors)



61700 - Hideaway component kit



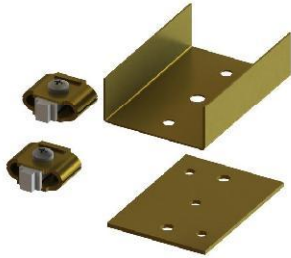
61900 - Hideaway adaptor kit



61604 - Hideaway hanger 56kg



61607 - Hideaway hanger 90kg



61600 - Hideaway connector



61606 - Hideaway door stops  
(5pcs), door, mounted



61611 - Hideaway door stop,  
track mounted



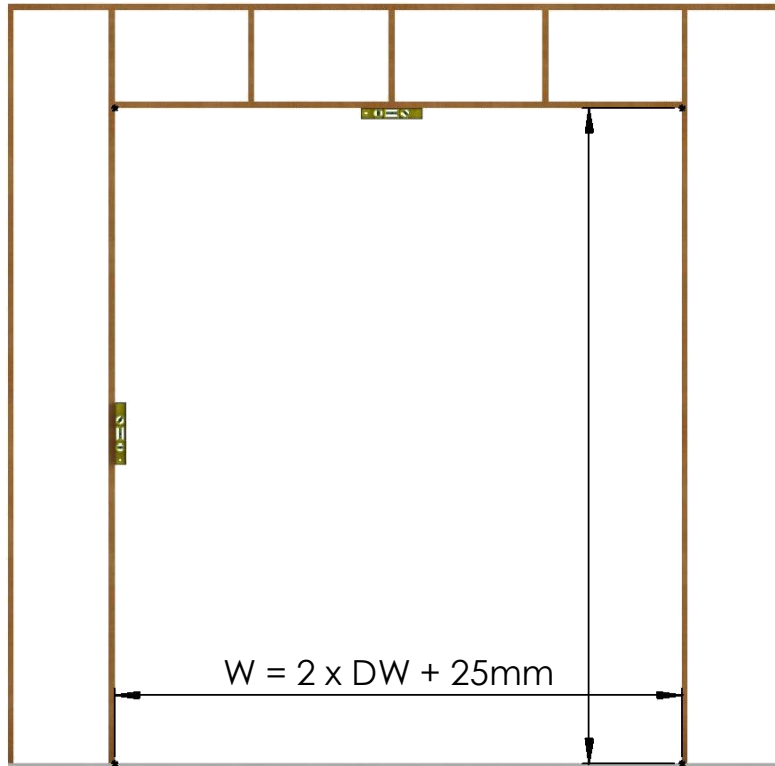
61910 - Hideaway guide



95604 - Pocket door hold open piston

## Step 1 Opening preparation

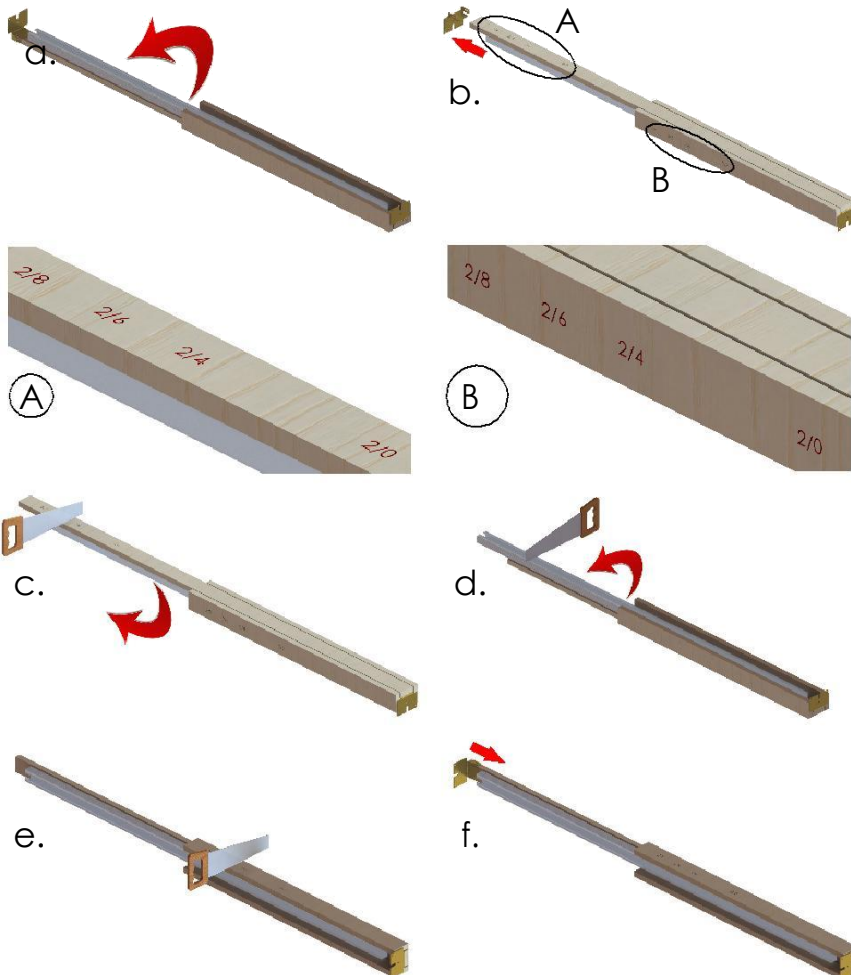
$$H = DH + 114\text{mm}$$



Construct rough opening, header must be square and plumb with studs and level.

Minimum height (H) is door height (DH) + 114mm and minimum width (W) is 2x door width (DW) plus 25mm.

## Step 2 Prepare the track / header

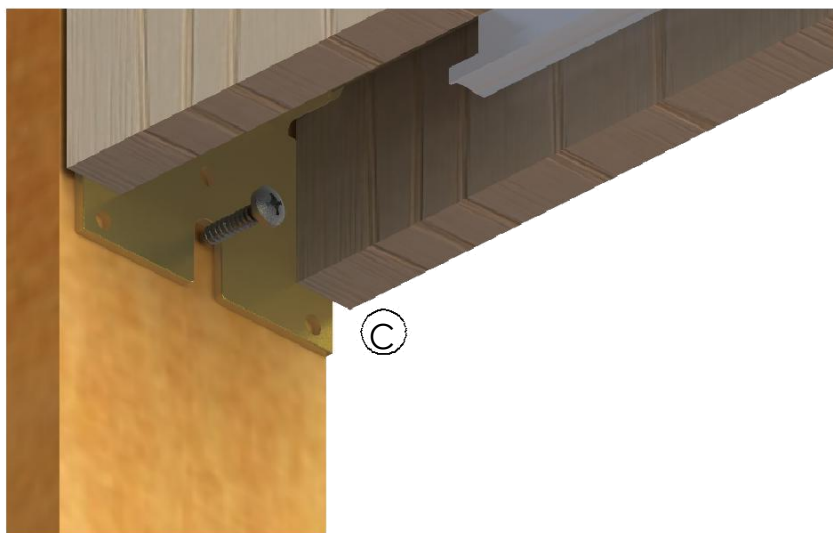
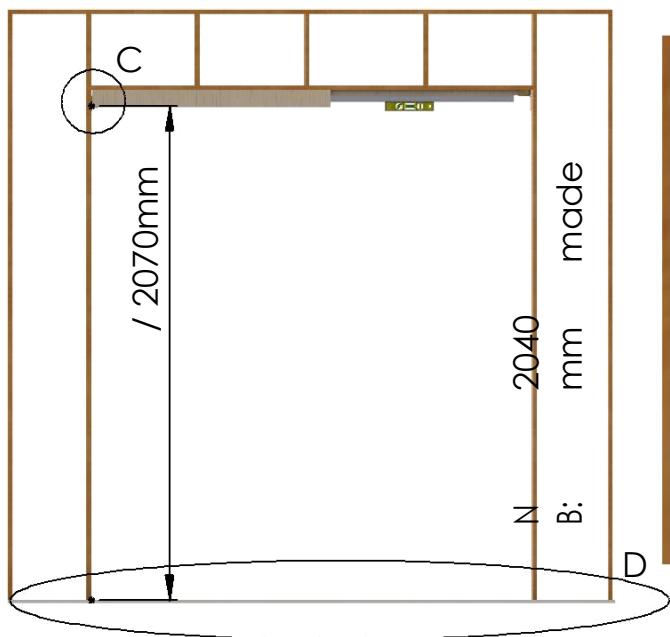


- Take the track assembly and place it on a flat surface with the wooden head facing down;
- Remove end bracket and rotate the assembly until wooden head faces up;

$$\begin{aligned} 2/8 &= 810\text{mm} (32'') \\ 2/6 &= 760\text{mm} (30'') \\ 2/4 &= 710\text{mm} (28'') \\ 2/0 &= 610\text{mm} (24'') \end{aligned}$$

- Cut the wood header at opening width (W) - 3mm. Try to use the markings on the wood header and the header board. Do NOT cut the track;
- Turn the assembly with the wood head facing down and cut track 35mm shorter than the wooden header;
- Cut the Header trim board on each side at opening width (OW);
- Put back the end bracket at the end of the wooden head.

### Step 3 Position the track / header

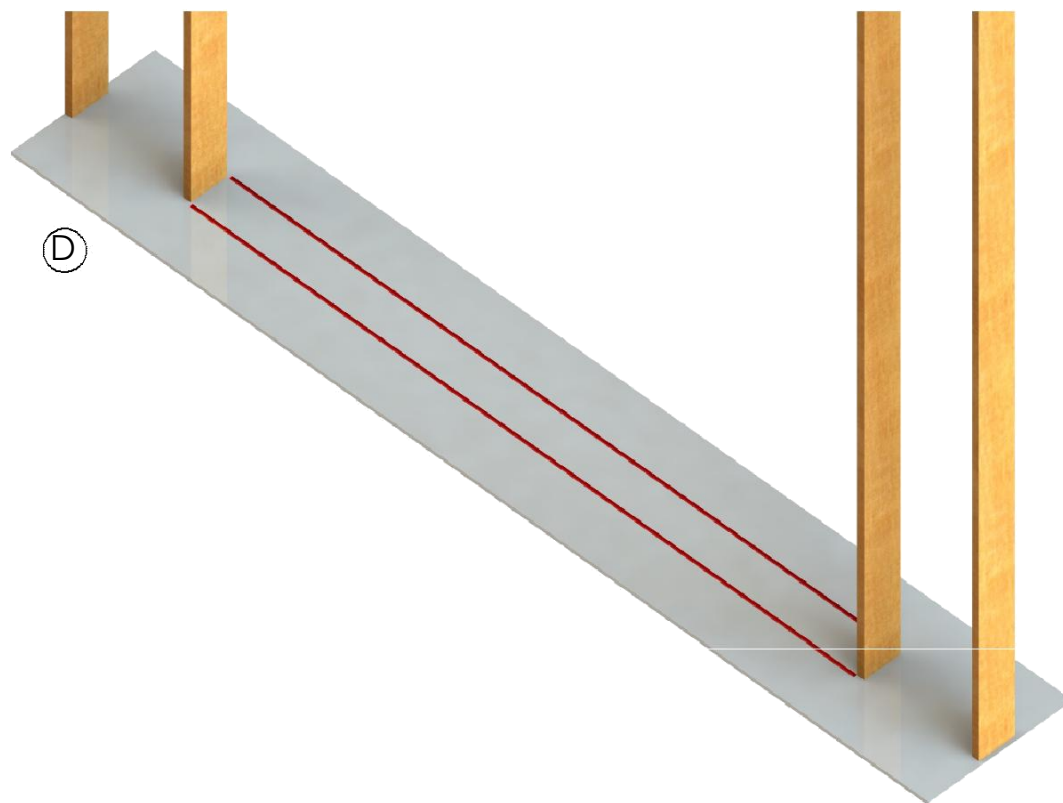


Measure from the finished floor 2050mm or from subfloor 2070mm (this will give 12mm to 30mm clearance under door), Mark each rough stud and drive a flat head nail on centre, leaving 3mm protruding.

(Frame header end brackets will rest on these nails)

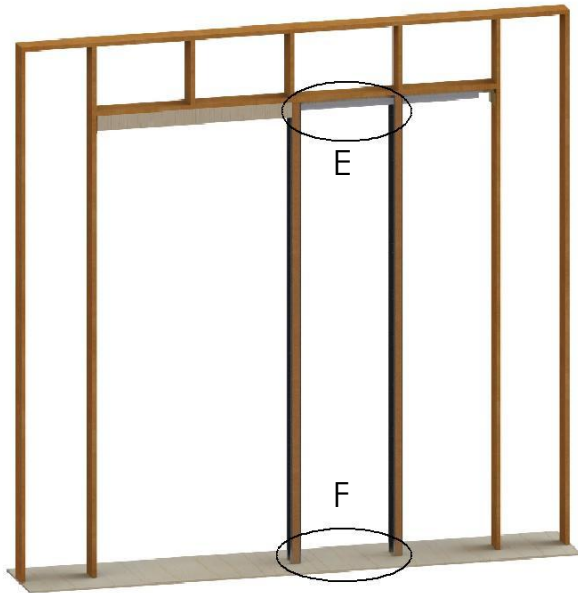
After ensuring the track is level secure the end brackets with screws or nails.

### Step 4 Mark the floor



Make a straight chalk line on each side of the pocket using the side jambs to help define the pocket edges

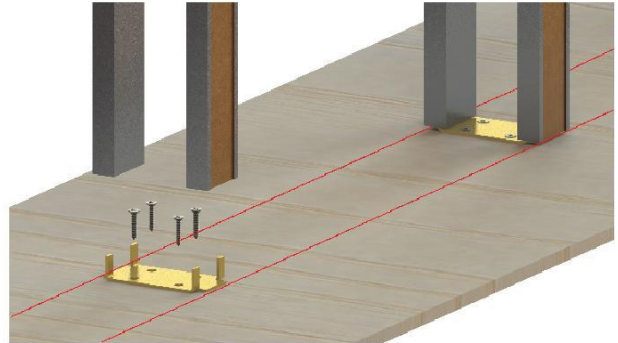
**Step 5** Install the studs



Ⓔ



Ⓕ

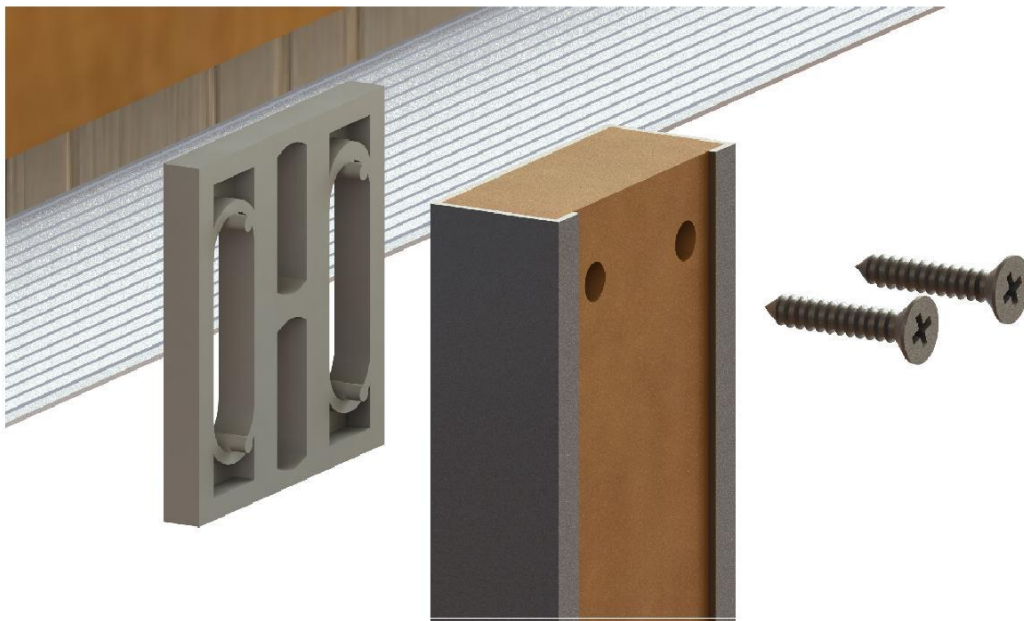


Slip fingers of floor plate into split studs as shown in detail F, butt studs against header sides ensure the level as seen in detail E and fix in place with screws.

Plumb studs between chalk lines and fix to floor see detail F. (On masonry use industrial adhesive or Masonry fasteners.)

NB: If using 44mm door, use 61900 Adaptor Kit (see STEP 6).

**Step 6** Install Hideaway™ Pocket Door Frame Adaptor Kit



Before assembling split studs to header, snap nylon space pads onto top end of each stud.

Small pins fit into nailer slots and hold spacers in place.

Replace standard floor plates with 44mm floor plates.

Fix studs into place as instructed in STEP 5

## Step 7 Door preparation



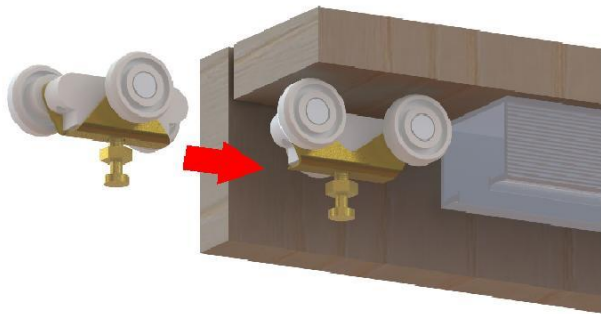
Attach door plate in the middle of the top side of the door at 50mm from the sides of the door.

Soft closer and self closer are OPTIONAL and both must be fitted according to their own instructions.

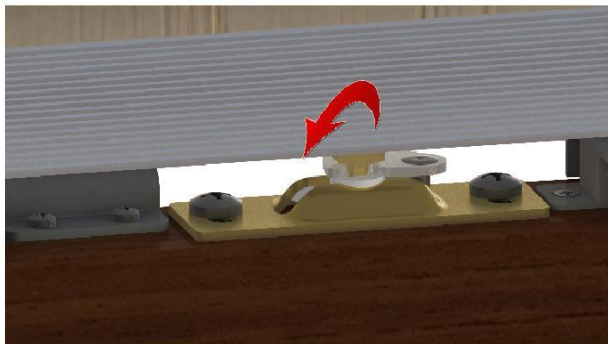
Fasten bumper on the back side of the door at 1000mm from the bottom.

OPTIONAL: Install the holdback catch at the back of the door

## Step 8 Door installation



Insert hangers into track alternating wheel positioning for even weight distribution.



Mount door by inserting the pins from the hangers into door plates located on top of the door; after pins bolts are fully pushed inside secure thru by rotating the lock tab into locked position as shown in picture.

5mm

5mm



After installing the architrave (not provided by Coburn) install the bottom guides, adjust height to ensure door is central in pocket.

# **HIDEAWAY™ SERIES**

## **Fitting instructions**