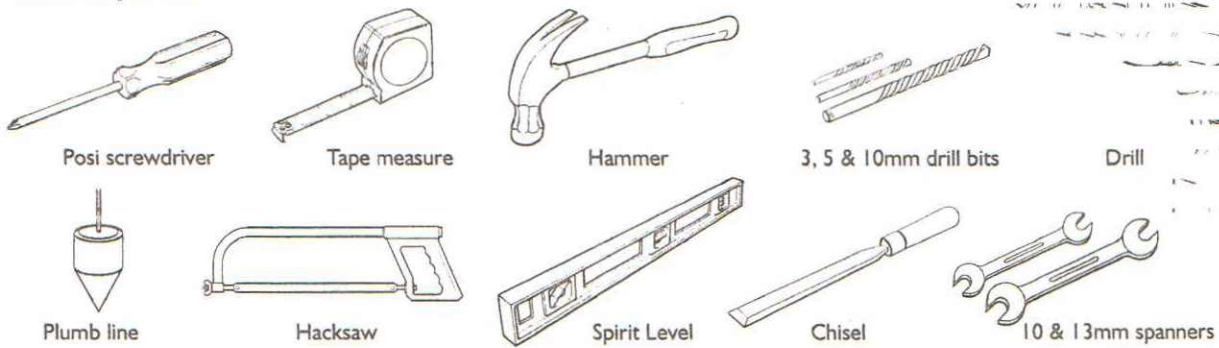




### Tools Required



### Cut the frame to size and assemble.

#### IMPORTANT

**Please note:** You can only assemble these door configurations by using the frame provided. Your warranty will be invalid if other alternatives are used. All loads are taken by the top track to ensure smooth, light operation and long life. Prior to installing this doorset, inspect for damage and do not proceed to fit if any noticeable damage or defect is evident. This doorset should be stored in a dry flat location before installation.

#### CAUTION



**SAFETY:** This product needs to be installed by a competent tradesperson with assistance. Two people are required to carry out the installation, as some components are heavy. The outer frame requires fixing to the supporting structure above the opening. The opening **MUST** be capable of carrying the load of the doorset in all conditions.

Check your structural opening for squareness, and that it is a minimum of those stated in the table.

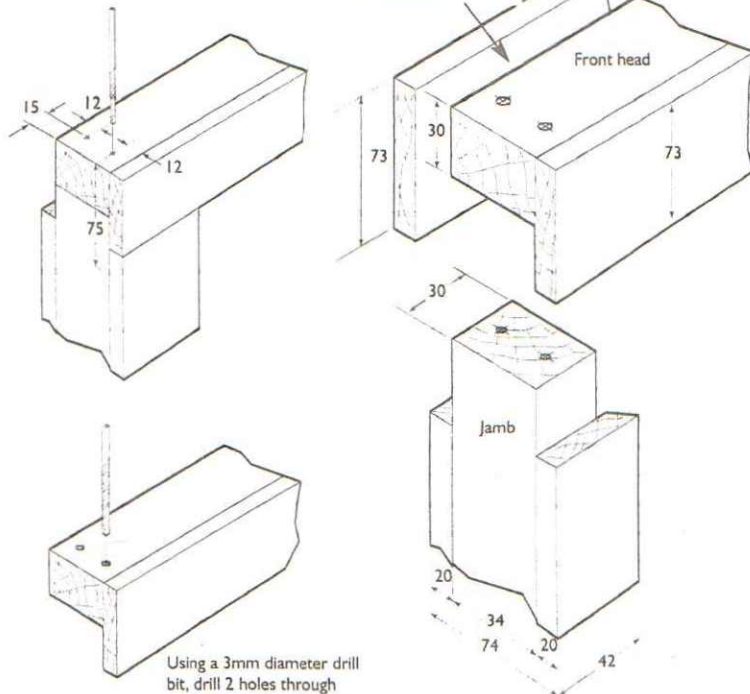
Dimension 'Y'

Number of leaves	3	4	5	6
Dimension (Y)mm	2130	2816	3502	4188
Door Configuration	3+0	3+1	5+0	3+3 & 5+1

Table of head lengths is as the part is supplied. These dimensions need to be trimmed to suit the doors you are using. See Table A for cutting details.

Using a 5mm diameter drill bit, drill through the front head only to take 2 No.10 x 75mm screws

Back head - Screwed and glued to jamb and front head at the end of the installation



Using a 3mm diameter drill bit, drill 2 holes through the front head and into the jamb to an approximate depth of 75mm

Table A - Structural opening sizes

No. of Doors	3	4	5	6	6	
Door layout pattern	3+0	3+1	5+0	3+3	5+1	
Door Width	1'9"	1681	2214	2747	3280	3280
	2'0"	1912	2522	3132	3742	3742
	2'3"	2140	2826	3512	4198	4198

Cut down the head and track to suit the number of doors and size of doors - See Table B for cutting details

Table B - Head cut lengths

No. of Doors	3	4	5	6	6	
Door layout pattern	3+0	3+1	5+0	3+3	5+1	
Door Width	1'9"	1671	2204	2737	3270	3270
	2'0"	1902	2512	3122	3732	3732
	2'3"	2130	2816	3502	4188	4188

Jamb height - 2048mm to suit 1981 high doors